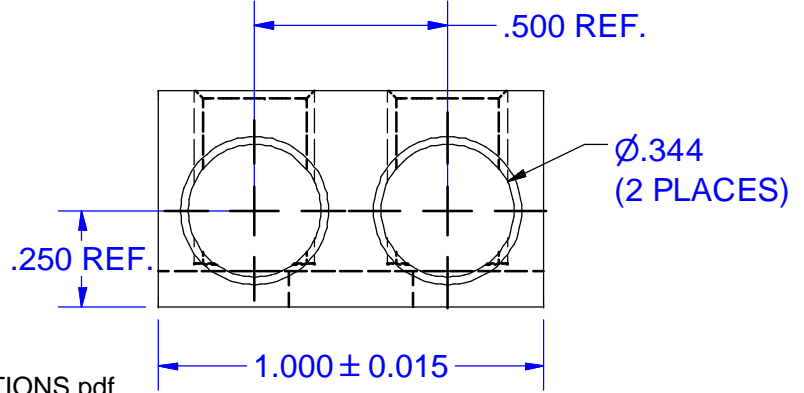
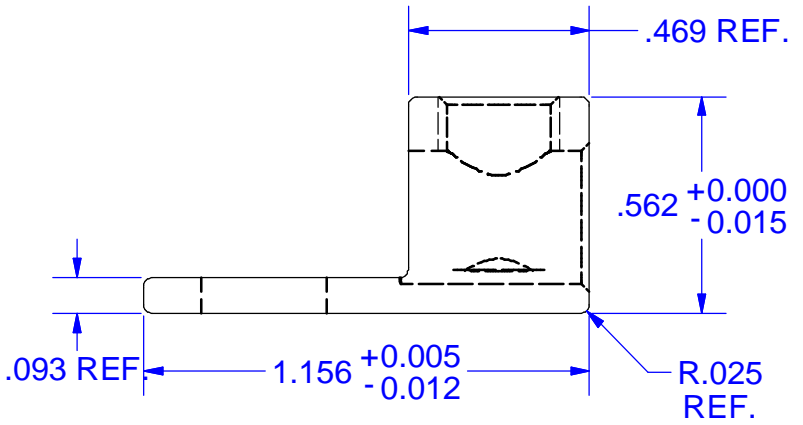


Cat. No. S2 Style No. ALL
 ■ Drill, Enlarge, or Modify Mounting Holes
 1) Increase hole(s) dia. to 5/16 bolt (.323 drill dia.)
 2) Move location of mounting hole(s)
 3) If buying blank lug, put custom hole(s) in.

SCREW #
 12786HEX/13627
 (STEEL)

MARKING
 S2
 IHI Logo
 CSA Logo
 UL Logo
 2-14
 CU9AL




IHI UL/CSA Installation Guide to Drill or Enlarge Mounting Holes:
<https://lugsdirect.com/PDF%20Documents/IHI-MTG-HOLE-FIELD-MODS-UL&CSA-CERTIFICATIONS.pdf>

NOTE:
 PARTS TO BE SHIPPED WITH TORQUE VALUES ON UNIT CONTAINER

NOT FOR USE WHERE FAILURE CREATES A HAZARD TO HUMAN HEALTH OR SAFETY. ALL PRODUCTS ARE SUBJECT TO THIS FULL DISCLAIMER: <http://www.ihiconnectors.com/disclaimer.html>

FOR FURTHER INFORMATION ON THE PROPER USE OF THIS PRODUCT IN SPECIFIC APPLICATIONS SEE <http://www.ihiconnectors.com/GuideToFlexFlexibleFineStrandedWireCableMechanicalLugsFAQ.html>

<http://www.ihiconnectors.com/Technical-Data-Installation.htm>

 Expanded wire range with use of ferrules.
 TORK KRIMP®, self crimping of standard UL Listed ferrules protected by PATENT No.10630005.
 PATENT: www.ihiconnectors.com/patent.html
 For full instructions: <https://lugsdirect.com/PDF Documents/IHI Agency Labels/S2-AGENCY-LABEL.pdf>

FLEX WIRE 4-12 AWG

THIS DRAWING AND DESIGN ARE THE PROPERTY OF INTERNATIONAL HYDRAULICS, INC., CLEVELAND, OHIO, AND MAY NOT BE DUPLICATED, USED FOR THE BASIS OF DESIGN OR MANUFACTURE WITHOUT THE WRITTEN PERMISSION OF INTERNATIONAL HYDRAULICS, INC., CLEVELAND, OHIO.		INTERNATIONAL HYDRAULICS, INC.		
GENERAL TOLERANCES ±.015 (±0.038)		TITLE: 2S2-HEX CONNECTOR		
MATERIAL: 6061-T6 (1011)	SIZE:	DRAWN BY: TDS	DWG NO.: 2S2-HEX (SALES)	REV:
FINISH: TIN PLATE EMS	DATE: 8/17/09	IHI CONNECTORS		